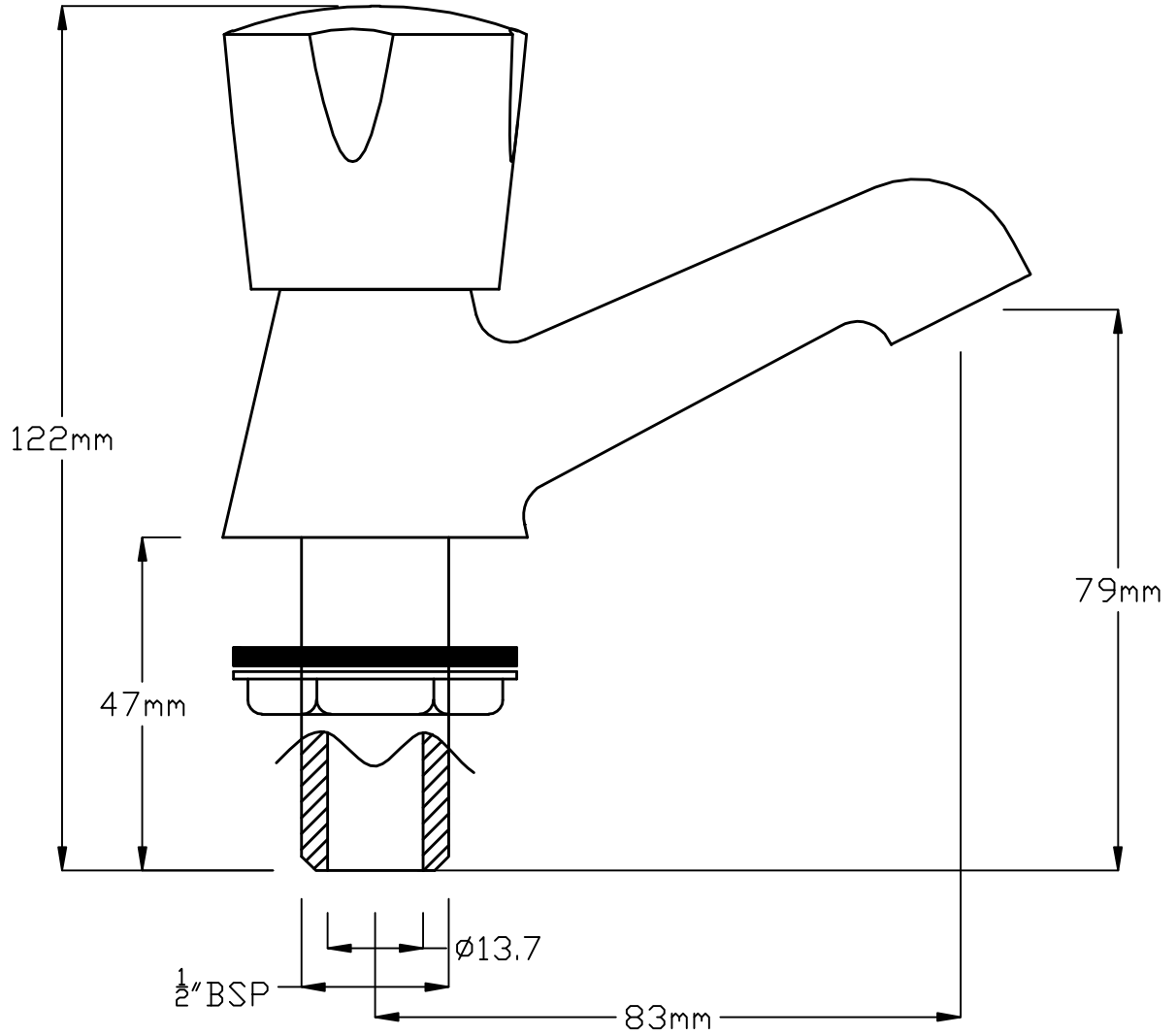


Rev No	Revision note	Date	Approved By



PROPRIETARY AND CONFIDENTIAL	BASIC SIZE	TOLERANCE		Jupiter Aqua Lines Ltd.				TITLE:	PILLAR TAP 15MM	
		Linear	Angular	NAME	SIGNATURE	DATE	TYPE:			
THE INFORMATION CONTAINED IN THIS DRAWING IS THE SOLE PROPERTY OF JUPITER AQUA LINE. ANY REPRODUCTION IN PART OR AS A WHOLE WITHOUT THE WRITTEN PERMISSION OF Jupiter Aqua Line IS PROHIBITED.	From 0.5 up to 6	± 0.1	UP TO 10	DRAWN	Imtyaz			CHORME FINISHED		
	Over 6 up to 30	± 0.2	± 1°	CHKD	RAJDEEP SINGH					
	Over 30 up to 120	± 0.3	OVER 10 UP TO 50	APPVD	B.S ANAND			CAT NO:		
	over 120 up to 400	± 0.5	± 0.5°	MRG				2520J		
MATERIAL BRASS				QA				WEIGHT:	SCALE: 2:1	Units: mm